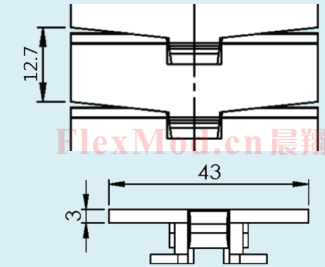


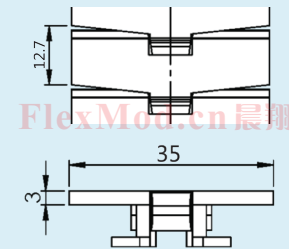
Plastic chain materials(链板材质)	Performance(特性)	Colour(颜色)
POM	Standard material/标准材料	white/白色
POML	Ultra low wear/超润滑	white/白色
POMA	Abrasion resistance/超耐磨	white/白色
POMC	Chemical resistance/抗腐蚀	yellow/黄色
POME	Conductive material/抗静电	black/黑色
POMK	High temperature resistance/耐高温	yellow/黄色
POMF	Food application/用于食品	white/白色
POMN	Low noise/低噪音	white/白色

CXUTP 3A45 Plain chain (平板链)
Length 3 mt
(长度3m)

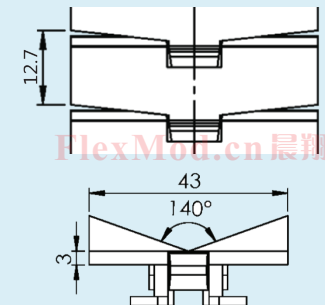
CX5113047 Plain link
(平板链节)



CXTCTP5 Plain chain (平板链)
Length 5 mt
(长度5m)



CXUTP 3A45V Cleated chain (楔链节)
Length 3 mt
(长度3m)



CXUTP 3A45F Friction top chain
Length 3 mt
(防滑顶链, 长度3m)

CX5113308 Friction top link
(防滑顶链节)

