



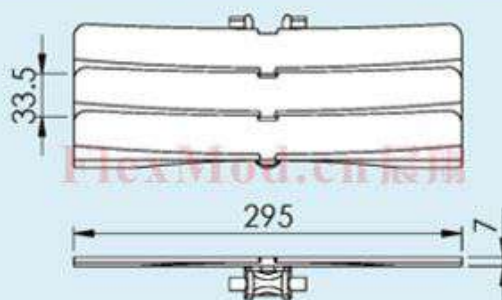
FlexMod.cn 晨翔

Plastic chain materials(链板材质)	Performance(特性)	Colour(颜色)
POM	Standard material/标准材料	white/白色
POML	Ultra low wear/超润滑	white/白色
POMA	Abrasion resistance/超耐磨	white/白色
POMC	Chemical resistance/抗腐蚀	yellow/黄色
POME	Conductive material/抗静电	black/黑色
POMK	High temperature resistance/耐高温	yellow/黄色
POMF	Food application/用于食品	white/白色
POMN	Low noise/低噪音	white/白色

Plain chain (平板链)

CXBTP 3A295 Plain chain (平板链)
Length 5 mt (长度5m)

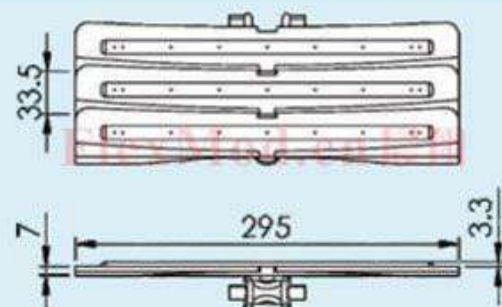
CXBTL 295 Plain link (平板链节)



Friction top chain (防滑顶链)

CXBTP 3A295 F Plain chain (平板链)
Length 5 mt (长度5m)

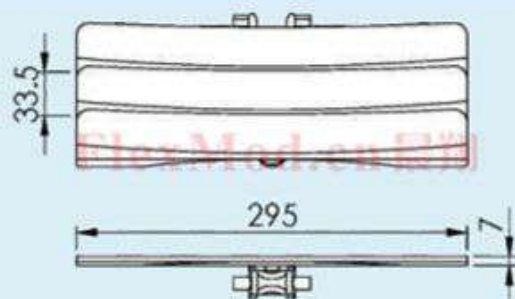
CXBTL 295 F Plain link (平板链节)



Plain chain (平板链)

CXBTP 3A295 A Plain chain (平板链)
Length 5 mt (长度5m)

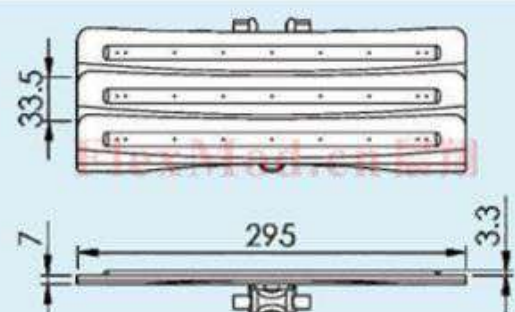
CXBTL 295 A Plain link (平板链节)



Friction top chain (防滑顶链)

CXBTP 3A295 AF Plain chain (平板链)
Length 5 mt (长度5m)

CXBTL 295 AF Plain link (平板链节)



Tools and accessories (工具和附件)

CXBTT 13X16 Plastic pivot (塑料珠)

CXMTT 13X16 Plastic pivot (塑料珠)

CXMTD 6X50 Steel pin (钢销)

CXBMJ 6P Pin insertion tool (销子安装工具)

CXBMJ 6 Pin insertion tool (销子安装工具)



CXB-295