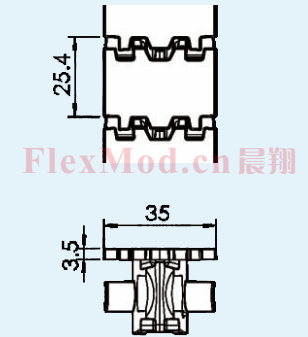


Plastic chain materials(链板材质)	Performance(特性)	Colour(颜色)
POM	Standard material/标准材料	white/白色
POML	Ultra low wear/超润滑	white/白色
POMA	Abrasion resistance/超耐磨	white/白色
POMC	Chemical resistance/抗腐蚀	yellow/黄色
POME	Conductive material/抗静电	black/黑色
POMK	High temperature resistance/耐高温	yellow/黄色
POMF	Food application/用于食品	white/白色
POMN	Low noise/低噪音	white/白色

*Plain chain(平板链)*

CXTTP 5

Plain chain(平板链)  
Length 5 mt(长度5m)*Tools and accessories(工具和附件)*

CXTTT 11X17

Plastic pivot(塑料珠)



CXTTD 4.5X30

Steel pin(钢销)

