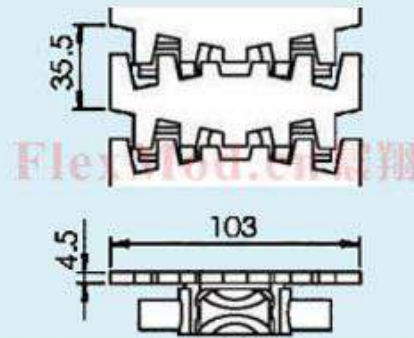




Plastic chain materials(链板材质)	Performance(特性)	Colour(颜色)
POM	Standard material/标准材料	white/白色
POML	Ultra low wear/超润滑	white/白色
POMA	Abrasion resistance/超耐磨	white/白色
POMC	Chemical resistance/抗腐蚀	yellow/黄色
POME	Conductive material/抗静电	black/黑色
POMK	High temperature resistance/耐高温	yellow/黄色
POMF	Food application/用于食品	white/白色
POMN	Low noise/低噪音	white/白色

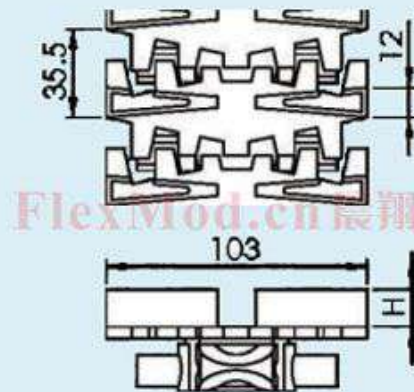
## Plain chain (平板链)

CXHTP 5	Plain chain (平板链) Length 5 mt (长度5m)
CXHTL 103	Plain link (平板链节)



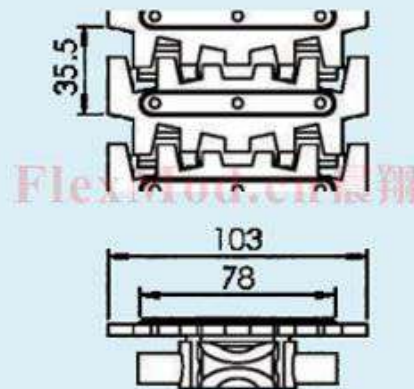
## Cleated chain (楔链)

	Type A Length 5 mt (长度5m)
CXHTF 5X15 A...	H=15 mm
CXHTF 5X20 A...	H=20 mm
CXHTF 5X30 A...	H=30 mm
CXHTF 5X40 A...	H= 40 mm
	Cleated link (楔链节)
CXHTL 103X15 A	H=15 mm
CXHTL 103X20 A	H=20 mm
CXHTL 103X30 A	H=30 mm
CXHTL 103X40 A	H=40 mm



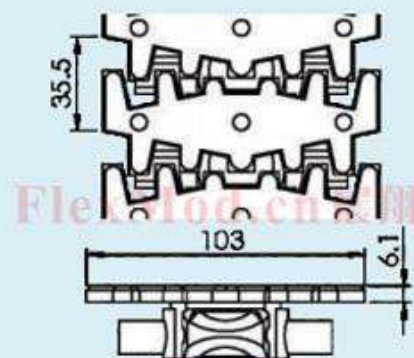
## Friction top chain (防滑顶链)

CXHTP 5 F...	Friction top chain (防滑顶链) Length 5 mt (长度5m)
CXHTL 103 F	Friction top link (防滑顶链节)



## Steel top chain (钢顶链)

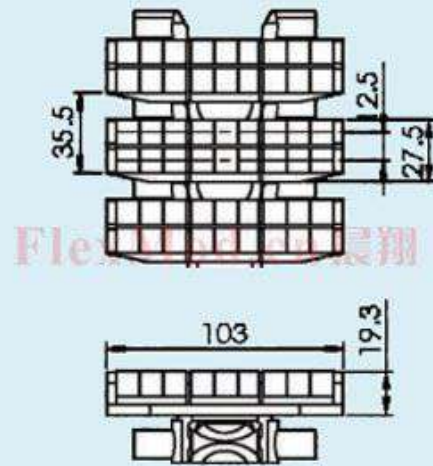
CXHTP 5 TF	Plain chain (平板链) Length 5 mt (长度5m)
CXHTL 103 TF	Steel top link (钢顶链节)



CXH

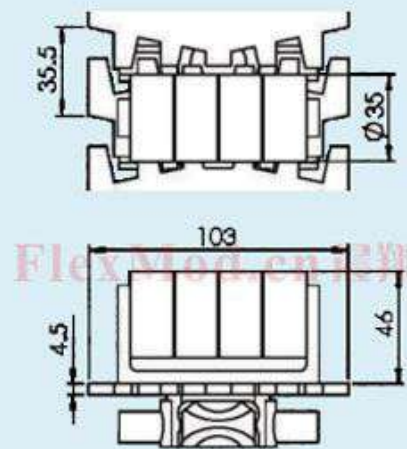
## Roller top chain (滚轮顶链)

- CXHTR 5      Roller top chain (滚轮顶链)  
Length 5 mt  
(长度5m)
- CXHTL 103 R      Roller top link  
(滚轮顶链节)



- CXHTF 5X46 R... Chain with roller cleats, Length 5 mt  
(滚轮楔链, 长度5m)
- CXHTL 103X46 R Link with roller cleats  
(滚轮楔链节)

Note. This type of chain requires minimum. One plain link between every cleated link.

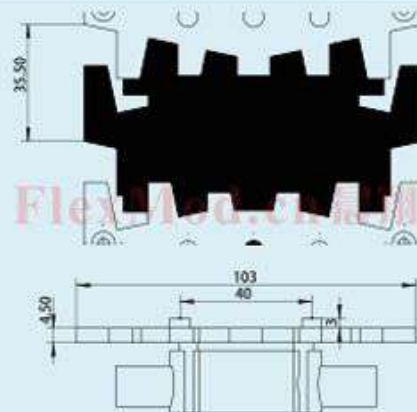


## Universal chain(通用链)

\* 晨翔独有

- CXHTF 5 U...      Length 5 mt (长度5m)
- CXHTL 103 U      Universal link(通用链)

The link has a hole for an M6 screw.  
M6 nut will fit inside the link.  
(链节中间可装入M6螺母, 用于固定夹具)



## Tools and accessories (工具和附件)

- CXHTT 18X19      Plastic pivot (塑料珠)
- CXHTD 6X70      Steel pin (钢销)
- CXBMJ 6P      Pin insertion tool  
(销子安装工具)
- CXHMJ 6      Pin insertion tool  
(销子安装工具)

