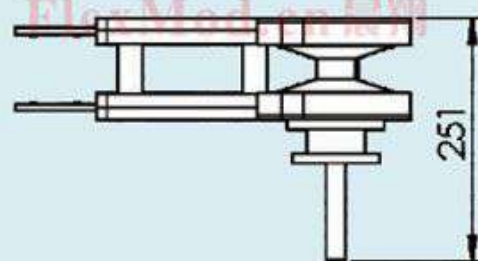
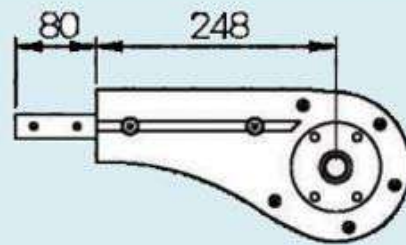




CXHEB 0HLGUA
Dia. 25mm to 20mm

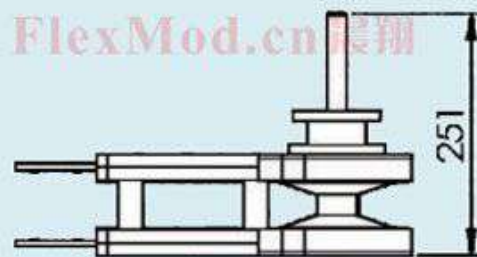
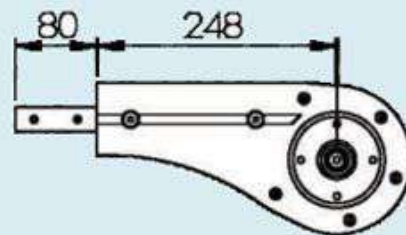
Drive unit (驱动单元)
Direct drive (直接驱动)
left-hand side (左出轴)
SEW SA37
SEW WA30
SEW WA 20



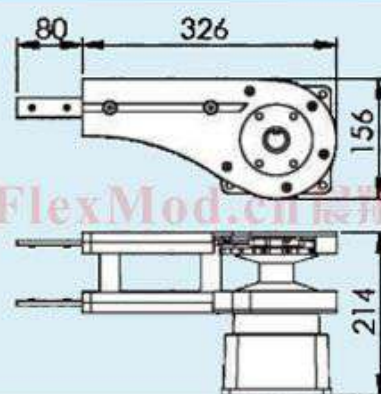
CXH

CXHEB 0HRGUA
Dia. 25mm to 20mm

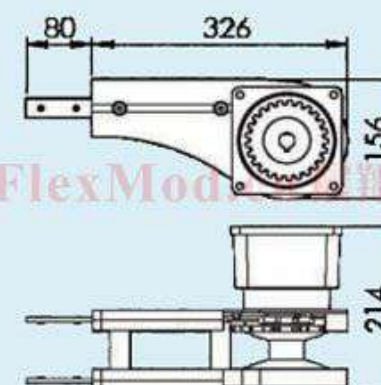
Drive unit (驱动单元)
Direct drive (直接单元)
right-hand side (右出轴)
SEW SA37
SEW WA30
SEW WA 20



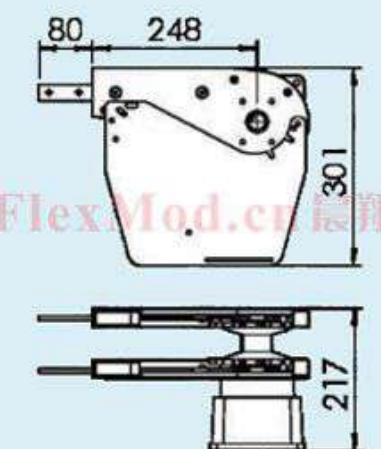
CXHEB 0HLGP Drive unit (驱动单元)
Direct drive without
slack, left-hand side
(左出轴)



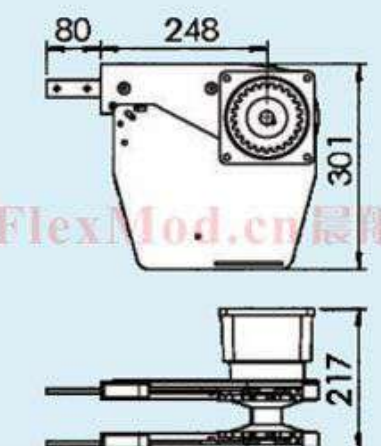
CXHEB 0HRGP Drive unit (驱动单元)
Direct drive without
slack, right-hand side
(右出轴)



CXHEB 0HLP Drive unit (驱动单元)
Direct drive (直接驱动)
left-hand side (左出轴)



CXHEB 0HRP Drive unit (驱动单元)
Direct drive (直接单元)
right-hand side (右出轴)

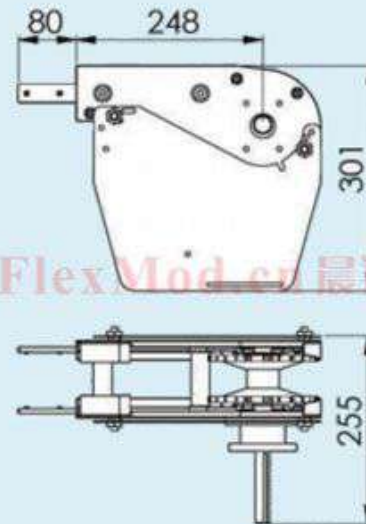




FlexMod.cn 晨翔

CXHEB 0HLUA
Dia. 25mm to 20mm

Drive unit (驱动单元)
Direct drive (直接单元)
left-hand side (左出轴)
SEW SA37
SEW WA 30
SEW WA 20

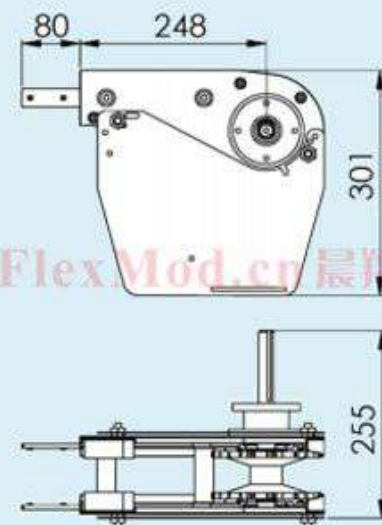


FlexMod.cn 晨翔

CXH

CXHEB 0HRUA
Dia. 25mm to 20mm

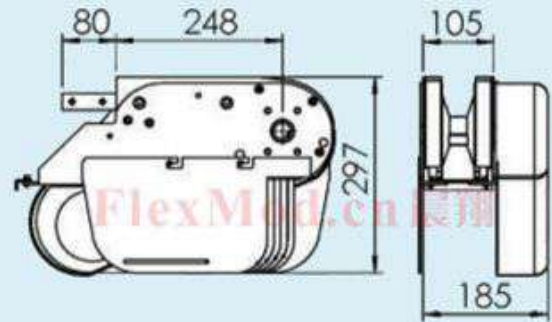
Drive unit (驱动单元)
Direct drive (直接单元)
right-hand side (右出轴)
SEW SA37
SEW WA 30
SEW WA 20



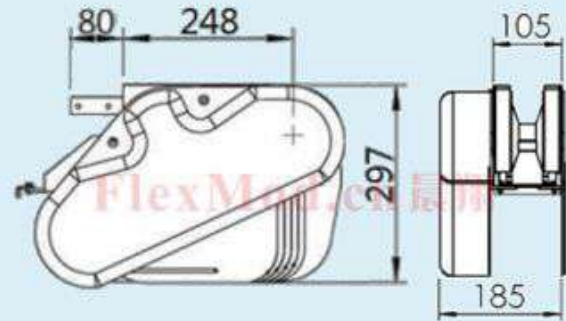
FlexMod.cn 晨翔



CXHEB 0HLA Drive unit (驱动单元)
Transmission on left-hand side
(传动装置在左侧)



CXHEB 0HRA Drive unit (驱动单元)
Transmission on right-hand side
(传动装置在右侧)

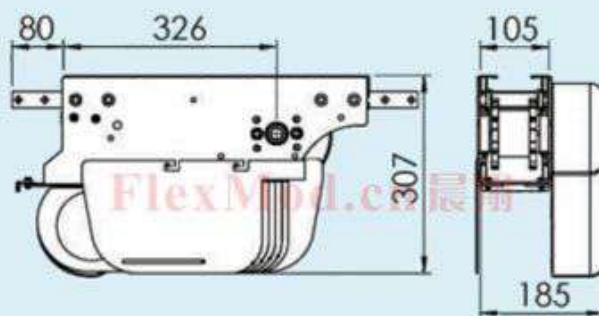




FlexMod.cn 晨翔

CXHER 0HL

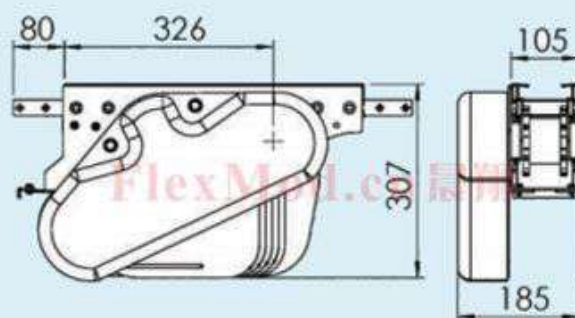
Drive unit (驱动单元)
Transmission on
left-hand side
(传动装置在左侧)



CXH

CXHER 0HR

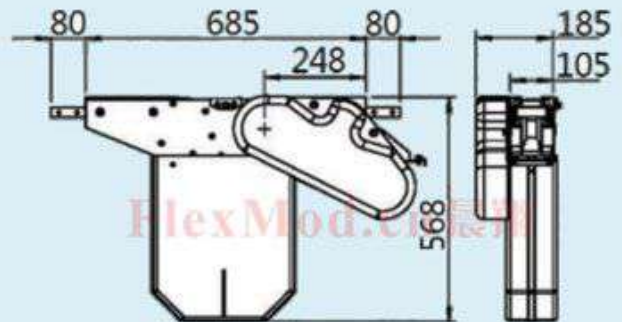
Drive unit (驱动单元)
Transmission on
right-hand side
(传动装置在右侧)





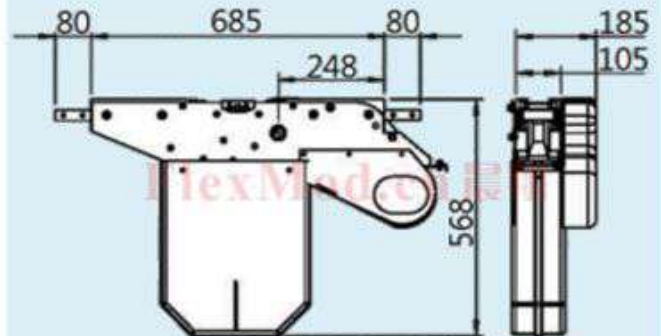
CXHEC 0HL

Drive unit (驱动单元)
Transmission on
left-hand side
(传动装置在左侧)



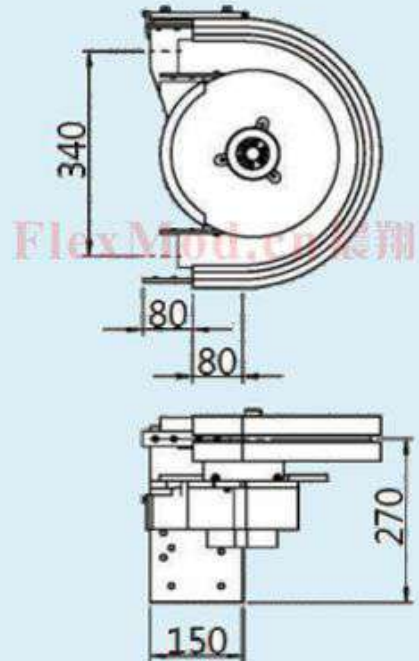
CXHEC 0HR

Drive unit (驱动单元)
Transmission on
right-hand side
(传动装置在右侧)





CXHEW 180/0H Horizontal bend drive unit, 180° (水平驱动单元180°)



CXH