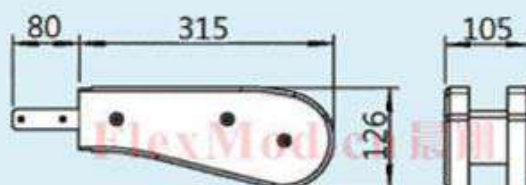




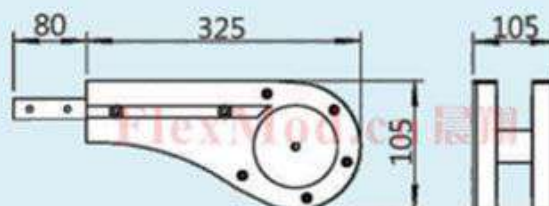
CXHEJ 315

Idler end unit
(从动单元)



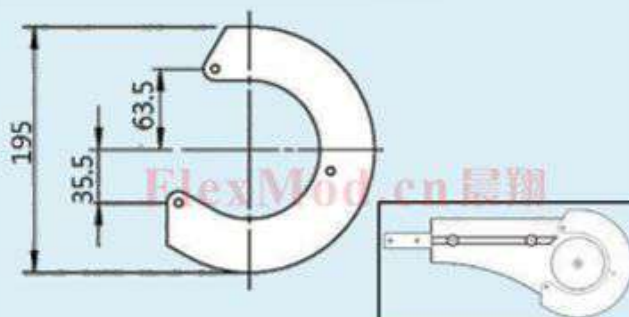
CXHEJ 325

Idler end unit
(从动单元)



CXHSJ 195

Protective cover for
idler end nit



CXHEK 90R50

Idler bend unit, 90°
Cannot be used with
a return chain
(90°从动单元)

