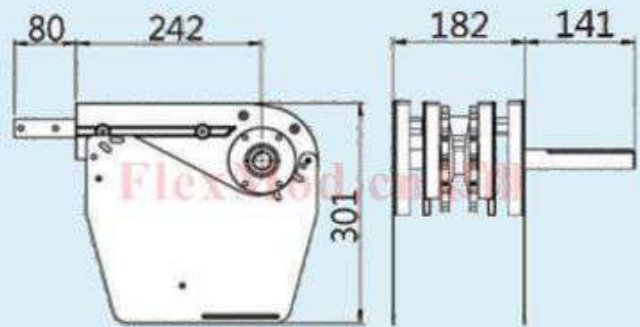


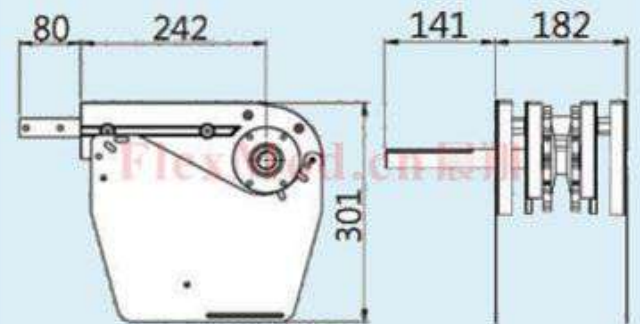


FlexMod.cn 晨翔

CXBEB 0A175LU Basic drive unit
(基本驱动单元)
Dia. 25mm Transmission on
left-hand side
(传动装置在左侧)



CXBEB 0A175RU Basic drive unit
(基本驱动单元)
Dia. 25mm Transmission on
right-hand side
(传动装置在右侧)

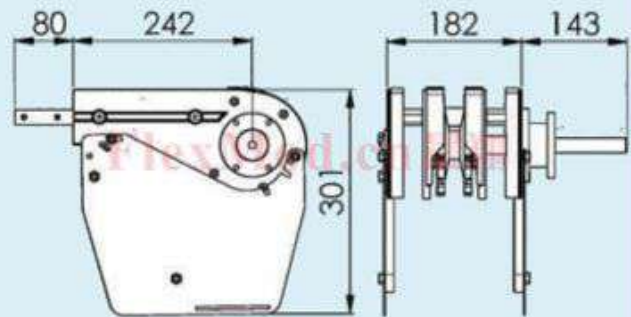




FlexMod.cn 晨翔

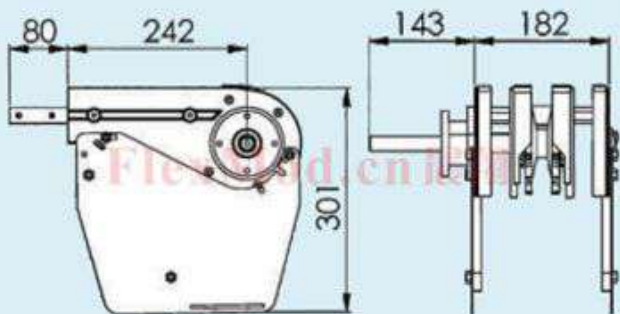
CXBEB 0A175LU
Dia. 25mm to 20mm

Drive unit (驱动单元)
Transmission on
left-hand side
(传动装置在左侧)
SEW SA37
SEW WA 30
SEW WA 20



CXBEB 0A175RU
Dia. 25mm to 20mm

Drive unit (驱动单元)
Transmission on
right-hand side
(传动装置在右侧)
SEW SA37
SEW WA 30
SEW WA 20



CXB-175